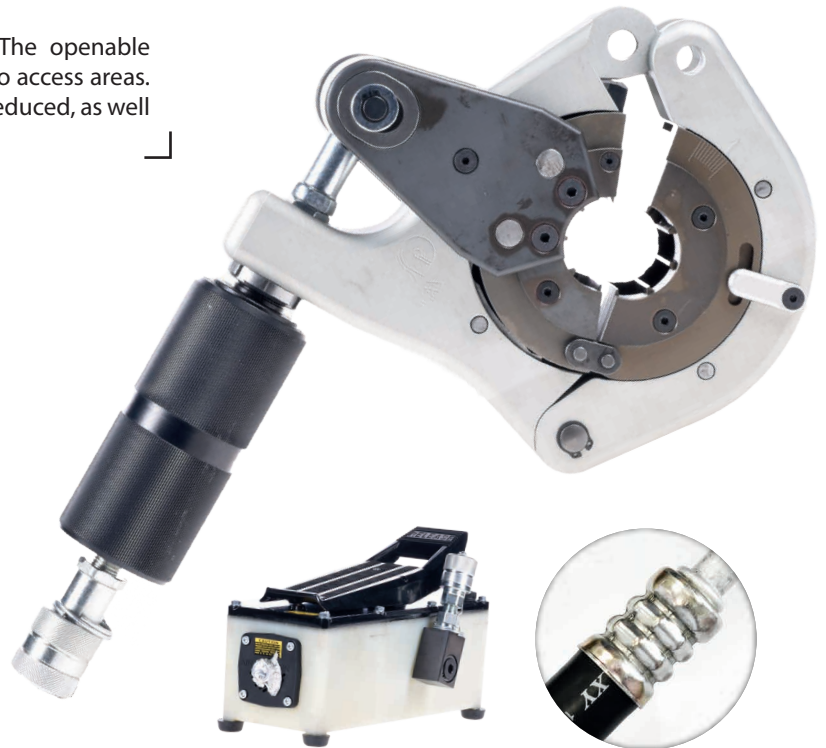
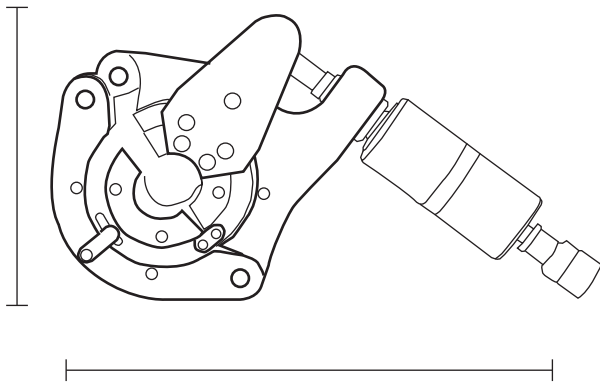


# AC HOSE CRIMPING MACHINE

# HYDFLEX

## CPT-8

Pneumatic-hydraulically operated AC hose crimper. The openable head facilitates the crimping of elbow fittings in hard to access areas. The 8-piece die set system allows for crimping of both reduced, as well as standard hose sizes.



## TECHNICAL SPECIFICATIONS

MODEL	CPT- 8							
DIMENSIONS	380 mm x 70 mm x 220 mm   Pump sizes: 120mm x 280mm x 180mm							
WEIGHT	6.45kg (without dies) - 10.75kg (with case) - 17,3kg (with case and pump)							
MAXIMAL AND MINIMAL DIAMETERS OF CRIMPING HOSES		REDUCED HOSE		STANDARD HOSE		STEEL BRAIDED HOSES		
	MAXIMAL INSIDE DIAMETER	5/8'(16 mm)		5/8'(16 mm)		NOT AVAILABLE		
MINIMAL INSIDE DIAMETER	5/16'(8 mm)		5/16'(8 mm)		NOT AVAILABLE			
POWER SUPPLY	Hydraulic-pneumatic foot pump							
AVAILABLE DIE SETS	Dies symbol	06R	06S-08R		10R	08S	10S-12R	12S
	Crimping size	14 mm	16,3 mm		18 mm	19,8 mm	22 mm	25.5 mm
	Hose ID	8 mm	8 mm	10 mm	12 mm	10 mm	12 mm	16 mm
ACCESSORIES	6 die sets Die box Transport case Connecting hose (1,8m)							